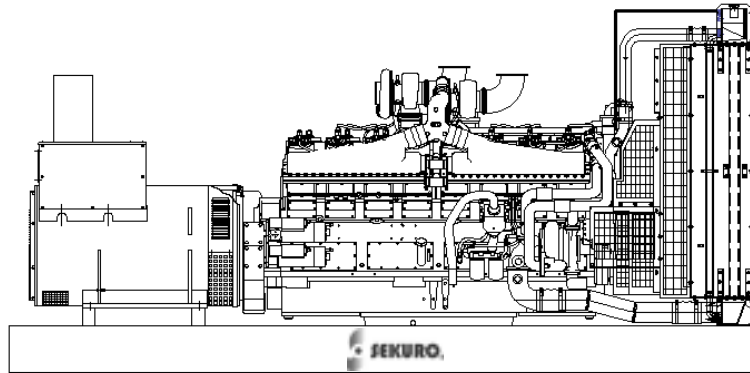




Model: **A400CU**
Diesel Generator Set



FEATURES

- Sekuro provides one-source responsibility for the generator system and its accessories.
- All units and components are factory tested during prototype and manufacturing stages assuring long product life.
- Generator set accepts one-step 100% of full load per NFPA 110.
- A **one-year limited warranty** covers all systems and components. Extended warranties are available.
- Rugged 4 cycle heavy-duty diesel engine, with direct fuel injection system and swirl intake ports combine for a low fuel consumption and excellent transient response.
- **Generator features:**
 - Unique Volts per Hertz compensated electronic AVR excitation system delivers reliable voltage response for in rush loads.
 - Brushless, rotating-field generator has low reactance, 2/3 pitch, class H insulation, minimizes voltage distortion when powering non-linear loads.
- **More features:**
 - Controllers are available to meet your most demanding applications.
 - In the event of low oil pressure or high coolant temperature the self-protecting system will automatically stop the engine.

GENERATOR SET RATINGS

Model	Volt Code	Voltage	Winding Connection	Phase	Power Factor	Hz	Amps Standby	Standby kW / kVA	Prime kW / kVA
A400CU	61	480 / 277	12 - HI WYE	3	0.8	60	593	394 (492.5)	356 (445)
A400CU	63	440 / 254	12 - HI WYE	3	0.8	60	647	394 (492.5)	356 (445)
A400CU	64	240 / 139	12 - HI DELTA	3	0.8	60	1186	394 (492.5)	356 (445)
A400CU	65	220 / 127	12 - LOW WYE	3	0.8	60	1294	394 (492.5)	356 (445)
A400CU	66	208 / 120	12 - LOW WYE	3	0.8	60	1369	394 (492.5)	356 (445)
A400CU	67	240 / 120	12 - 2 DELTA	1	1.0	60	1642	394 (394)	356 (356)
A400CU	51	415 / 240	12 - HI WYE	3	0.8	50	634	365 (496)	327 (408)
A400CU	53	380 / 220	12 - HI WYE	3	0.8	50	694	365 (496)	327 (408)
A400CU	55	220 / 127	12 - LOW WYE	3	0.8	50	1199	365 (496)	327 (408)
A400CU	57	220 / 110	12 - 2 DELTA	1	1.0	50	1659	365 (365)	27 (327)

Stand-By ratings are continuous electrical service during the interruption of normal power. No overload capacity is specified at these ratings. Prime ratings available with variable loads are continuous, 10% overload capacity for one hour in twelve hours periods. Both ratings per BS 5514, DIN 6271, ISO-3046
 Many industrial, commercial and residential voltages are available

ALTERNATOR SPECIFICATIONS

Type	Four pole, revolving field
Rotor Insulation	Class H
Temperature Rise	150°C Standby
Material	Epoxy resin
Line-To-Line Harmonic Factor (Max)	5%
Telephone Interference Factor (Tif)	1%
Voltage Regulator	Solid State
Cooling	Self-ventilated and drip proof
Bearing	1 each, pre-lubed
Coupling	Direct, Flexible Disc
Load Capacity (Standby)	100%
Overload Capacity (Prime)	110%
Voltage Regulation	
No Load To Full Load	±1 %
One Step Load Acceptance	
Per NFPA 110	100%

- ❑ Four pole, revolving field, direct coupled to engine flywheel, provides excellent alignment.
- ❑ Insulation is of class H, ready to be used on harsh environments where sea spray, sand and chemical corrosion are existing factors.
- ❑ Voltage regulator provides Volts/Hertz compensation to improve the motor starting capabilities, therefore support the engine handling transient loads.
- ❑ Dynamically balanced rotor, with damper winding, help dissipate transient voltage interference during load variations.
- ❑ The windings have a 2/3 pitch in order to reduce the harmonic content of voltage.
- ❑ Robust mechanical structure permits easy access to connections.

ENGINE SPECIFICATIONS

Manufacturer	CUMMINS
Model	QSX15-G4
Bore	5.39 in. (137 mm)
Stroke	6.65 in. (169 mm)
Number Of Cylinders	6
Piston Displacement	912 in. ³ (15 L)
Compression Ratio	17.0:1
Combustion System	CUMMINS HPI-TP
Engine Type	4 Cycle, In line
Aspiration	Turbocharged and charge air cooled
Engine Crankcase Vent System	Open
Cylinder	Replaceable Wet Liners
Crankshaft Material	Forged Steel
Speed Governor	Electronic
Frequency Regulation,	
No Load To Full Load	.5 %
Air Cleaner	Dry Element
Flywheel housing / Flywheel	SAE 0 / 18"

- ❑ Robust industrial grade CUMMINS diesel engine, for reliable endurance.
- ❑ Direct fuel injection system and swirl intake ports combine for a low fuel consumption and excellent transient response.
- ❑ Cylinder Head provides superior airflow through specially designed intake manifold ports, large valves and seats resulting in superior engine performance in torque reserve, fuel consumption and emissions.
- ❑ Replaceable Wet-Type Cylinder Liners, provide excellent heat dissipation. Precision machined for long life.
- ❑ Dynamically Balanced Crankshaft, with induction-hardened journal surfaces significantly increases wear life.
- ❑ Multi V Belt Fan Drive provides superior noise and vibration reduction.

STANDARD EQUIPMENT

ENGINE

- Air Cleaner
- Fuel Pump
- Fuel Filter
- Oil Pump
- Full Flow Oil Filter
- Jacket Water Pump
- Thermostat and Housing
- Exhaust Manifold Dry
- Oil Cooler
- Blower Fan & Fan Drive
- Radiator - Unit Mounted
- Electric Starting Motor 24v

- Turbocharged
- Housing & Flywheel
- Charging Alternator - 24v
- Battery Kit & Battery Rack

GENERATOR

- Synchronous, Brush-less
- Four Pole
- Single Bearing
- Direct Coupled With Flex
- Class H Insulation
- Drip-Proof Construction

CONTROL PANEL

- M6 full panel

- Ac Voltmeter
- Ac Ammeter
- Frequency Meter
- Vibration Shock Mounts
- Engine Shutdowns
- * High Water Temperature
- * Low Oil Pressure
- * Battery Voltmeter
- * Water Temperature
- * Oil Pressure
- * Running Time Meter
- LED and LCD alarm indication

GENERAL

- Skid unit
- Industrial Muffler
- Rain Cap
- Lifting Points
- Acrylic Enamel Paint

INSTALLATION AND APPLICATION DATA

	Item	Units	Type of Operation and Application			
			60 Hz		50Hz	
			Prime	Standby	Prime	Standby
Engine	Rated Speed	rpm	1800		1500	
	Gross Engine Output	bhp (kWm)	555 (414)	610 (455)	490(366)	545 (407)
	BMEP	psi (kPa)	267 (1844)	294 (2026)	236(1628)	262 (1810)
	Mean Piston Speed	Ft/s (m/s)	33.25(10.1)		27.71 (8.4)	
Cooling System	Ambient Air Temperature	°F (°C)	113 (45)			
	Coolant Capacity engine only	Gal (l)	6.34 (24)			
	Cooling system		Liquid (water + 50% Parafllu 11)			
	Coolant pump flow	Gal/min (l/min)	105 (397)		84 (317)	
	Pression cap setting	Psi (kPa)	10 (70)			
Fuel System	Fuel Type		Diesel N°2			
	Fuel Consumption @ 25% Power	Gal/h (l/h)	6.45	7.09	5.69	6.33
	Fuel Consumption @ 50% Power	Gal/h (l/h)	12.90	14.18	11.39	12.67
	Fuel Consumption @ 75% Power	Gal/h (l/h)	19.35	21.26	17.08	19.00
	Fuel Consumption @ 100% Power	Gal/h (l/h)	25.80	28.35	22.77	25.33
Air Requirement	Air consumption at 100% of load	Ft ³ /min (L/s)	1260 (595)	1290 (508)	1000 (475)	1060 (500)
	Air Flow Restriction-Clean AirFilter	In.H ₂ O (kPa)	15 (381)			
	Air Flow Restriction-Dirty Air Filter	In.H ₂ O (kPa)	25 (635)			
Exhaust System	Exhaust Gas Flow	Ft ³ /min (L/s)	2830 (1355)	3100 (1460)	2420 (1150)	2620 (1240)
	Exhaust Temperature	°F (°C)	815 (435)	830 (443)	870 (466)	910 (488)
	Maximun Allowable Back Pressure	In.H ₂ O (kPa)	40.78 (10.15)			
Lubrication System	Total Engine Oil Cap. w/ Filter(s)	Gal (l)	24 (91)			
	Oil Filter Type		Cartridge			
	Oil Cooler		Water Cooled			
	Lube oil specifications grade		SAE 10W – 40			
	Lube oil consumption		< 0.1% of fuel consumption			
Engine Electricals	Battery Charging Alternator	Volts, Ground	28VCC, Negative			
	Batery Charging Alternator	Rated amps	90			
	Starter Motor	Volts, Ground	24VCC, Negative			
	Recommended Battery Cold Crank	CCA amps	1425/ -0 °F (-18 °C)			
Ambient Deration	Altitude Deration	Ft (m)	1.8 % 1000ft (300m), and 10% 18 °F (10°C)			

OPTIONAL EQUIPMENT

Cooling System

- Remote Radiator
- Jacket Water Heater
- Crankcase Oil Heater

Fuel System

- Fuel/Water Separator
- Day Tank
- Above Ground Fuel Tank
- Auxiliary Fuel Pump
- Sub-Base Fuel Tank
 - Double Wall
 - UL Listed

Exhaust System

- Industrial Grade Muffler
- Residential Grade Muffler
- Critical Grade Muffler
- Super Critical Grade Muffler

Start System

- Battery Nicad
- Battery Warmer Plate
- Battery Charger
 - Automatic Float Equalizing
 - Trickle

Switchgear

- Main Line Circuit Breaker
 - Shunt trip
 - Auxiliary switch
- Automatic Transfer Switch
- Paralleling
- Protective Relays

Generator

- Permanent Magnet Excitation
- Space Heaters
- Temperature Rise Detectors

Control Panel

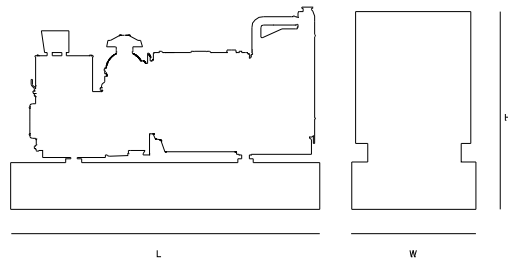
- Emergency stop button

- Microprocessor Control Panel
- NFPA 110 Ready
- Remote Annunciation Panel
- Audible Alarm

General

- Spring vibration isolators
- Automatic Transfer Switch
- Aluminum Enclosure
 - Weather Resistant
 - Sound Attenuated
- Interior lights AC or DC
- Trailer
- Export Packaging
- Special Testing
- Warranties
 - ____ Year

For Other Options Consult



DIMENSIONS AND WEIGHT

	Units	Open Unit	Enclosed Unit	Sound Att. Unit
Length	In. (mm)	138 (3505)	173 (4394)	230 (5842)
Width	In. (mm)	65 (1651)	73 (1854)	73 (1854)
Height	In. (mm)	77 (1955)	102 (2591)	102 (2591)
Weight	Lbs (kg)	9222 (4183)	10422 (4727)	10558 (4789)

General configuration for reference only, do not use these dimensions for installation purposes. Contact your local dealer for certified drawings.