

QT036

Liquid Cooled Gas Engine Generator Sets

Standby Power Rating

36 kW 60 Hz



GENERAC 2.4L ENGINE

Turbcharged/Aftercooled

Gaseous Fueled

Meets 2009 EPA Emission Regulations

STANDARD EQUIPMENT

FEATURES

GENERAC[®]



APPLICATION & ENGINEERING DATA

QT036

GENERATOR SPECIFICATIONS

TYPE Synchronous
ROTOR INSULATION..... Class H
STATOR INSULATION..... Class H
TOTAL HARMONIC DISTORTION..... <5%
TELEPHONE INTERFERENCE FACTOR (TIF)<50
ALTERNATOR OUTPUT LEADS 3 PHASE 4 wire
BEARINGS Sealed Ball
COUPLING..... Flexible Disc
LOAD CAPACITY (STANDBY RATING)..... 36 kW
EXCITATION SYSTEM..... Direct

NOTE: Generator rating and performance in accordance with ISO8528-5, BS5514, SAE J1349, ISO3046, and DIN6271 standards.

VOLTAGE REGULATOR

TYPE Electronic
SENSING Single Phase
REGULATION..... ± 1%
FEATURES..... V/F Adjustable
Adjustable Voltage and Gain
LED Indicators

GENERATOR FEATURES

Revolving field heavy duty generator
Directly connected to the engine
Operating temperature rise 120 °C above a 40 °C ambient
Insulation is Class H rated at 150 °C rise
All models are fully prototyped tested

CONTROL PANEL FEATURES

SEVEN LED INDICATOR LIGHTS ADDITIONAL FUNCTIONS
LED

INTERNAL FUNCTIONS:
3 position switch (auto, off and manual)

C to 70 °C

ENGINE SPECIFICATIONS

MAKE Generac
MODEL..... Inline 4
CYLINDERS 4
DISPLACEMENT..... 2.4 Liter
BORE (inches) 3.41
STROKE (inches)..... 3.94
COMPRESSION RATIO..... 8.5:1
INTAKE AIR SYSTEM..... Turbocharged/Aftercooled
VALVE SEATS Hardened
LIFTER TYPE..... Hydraulic

GOVERNOR SPECIFICATIONS

TYPE Electronic
FREQUENCY REGULATION..... Isochronous
STEADY STATE REGULATION..... ± 0.25
ADJUSTMENTS FOR:
Speed Yes
Droop Yes

ENGINE LUBRICATION SYSTEM

OIL PUMP Gear
OIL FILTER..... Full flow spin-on cartridge
CRANKCASE CAPACITY..... 4 Quarts

ENGINE COOLING SYSTEM

TYPE Closed
WATER PUMP..... Belt driven
FAN SPEED 1050
FAN DIAMETER..... 22 inches
FAN MODE..... Puller

FUEL SYSTEM

FUEL TYPE..... Natural gas, propane vapor
CARBURETOR..... Down Draft
SECONDARY FUEL REGULATOR..... Standard
FUEL SHUT OFF SOLENOID Standard
OPERATING FUEL PRESSURE..... 5" - 14" H₂O

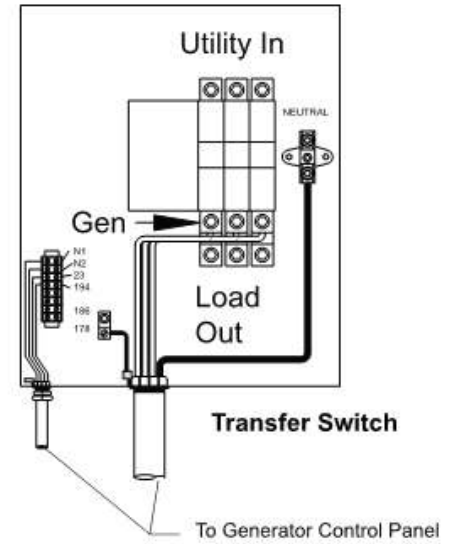
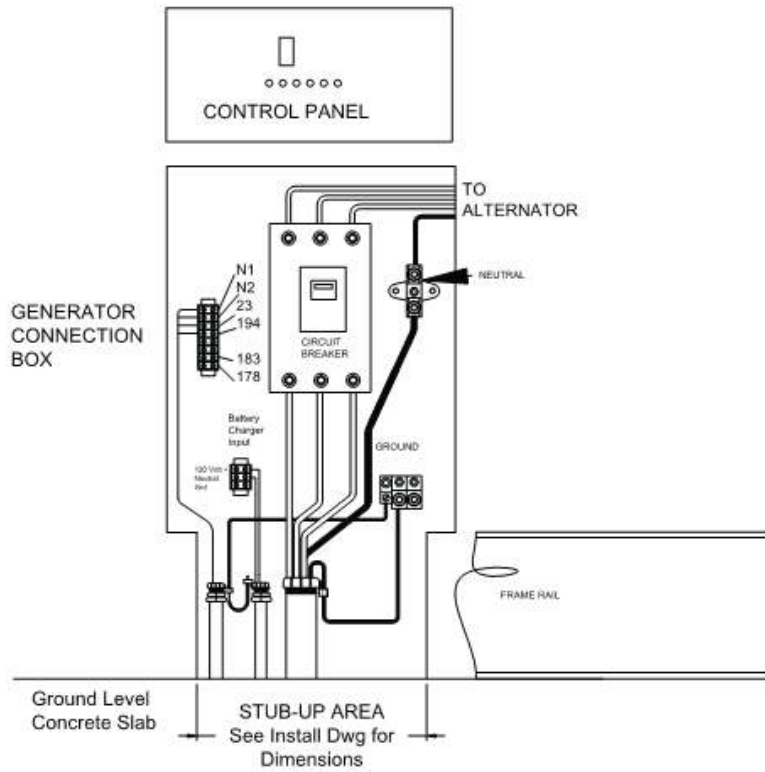
ELECTRICAL SYSTEM

BATTERY CHARGE ALTERNATOR..... 12V 30 Amp
STATIC BATTERY CHARGER 2 Amp
RECOMMENDED BATTERY Group 26, 525CCA
SYSTEM VOLTAGE..... 12 Volts

QT036

OPERATING DATA

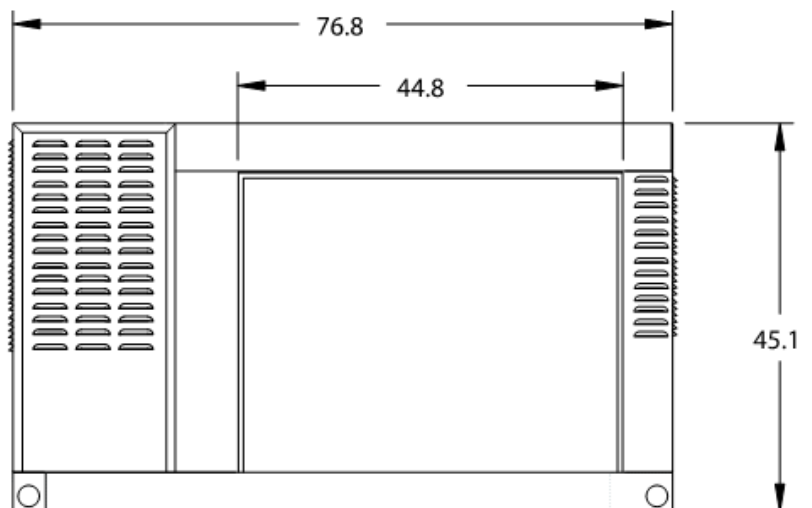
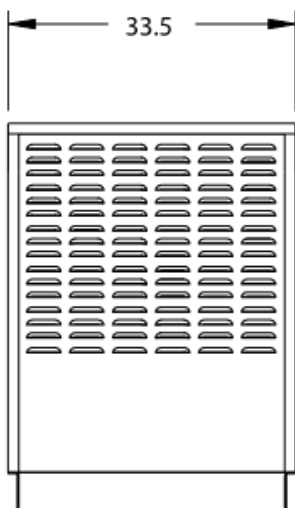
QT036						
KW RATING						
ENGINE SIZE						
GENERATOR OUTPUT VOLTAGE/KW - 60Hz	<table border="0" style="width: 100%; border-collapse: collapse;"> <tr> <td style="text-align: center;">kW - LP</td> <td style="text-align: center;">Amps</td> <td style="text-align: center;">KW - NG</td> <td style="text-align: center;">Amps</td> <td style="text-align: center;">CB Size</td> </tr> </table>	kW - LP	Amps	KW - NG	Amps	CB Size
kW - LP	Amps	KW - NG	Amps	CB Size		
GENERATOR LOCKED ROTOR KVA AVAILABLE @ VOLTAGE DIP OF 35%						
ENGINE FUEL CONSUMPTION (Natural Gas) (Propane)	<table border="0" style="width: 100%; border-collapse: collapse;"> <tr> <td style="text-align: center;">Natural Gas</td> <td style="text-align: center;">Propane</td> </tr> <tr> <td style="text-align: center;">(³</td> <td style="text-align: center;">(</td> </tr> </table>	Natural Gas	Propane	(³	(
Natural Gas	Propane					
(³	(
ENGINE COOLING (inlet air including alternator and combustion air) ³						
COMBUSTION AIR REQUIREMENTS						
SOUND EMISSIONS IN DBA						
EXHAUST						
ENGINE PARAMETERS						
POWER ADJUSTMENT FOR AMBIENT CONDITIONS						



CIRCUIT BREAKER SIZE

kW	VOLTS	AMPS	LUG SIZE
36	240 1ø	175	#6 to 300 MCM
36	208 1ø	150	#6 to 300 MCM
36	240 3ø	125	#6 to 300 MCM
36	480 1ø	60	#6 to 300 MCM

INSTALLATION LAYOUT



WEIGHT: 1,512 lbs.